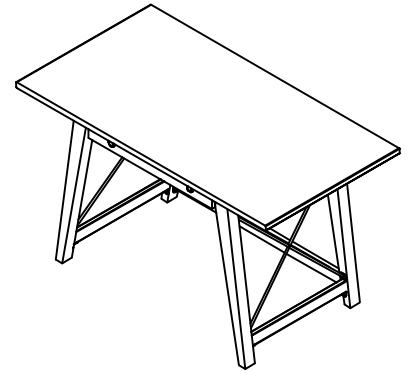


Warning :

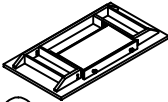
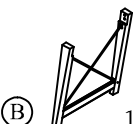
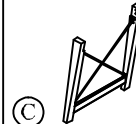










- Be sure to check all packing material carefully for small parts, which may have come loose inside the carton during shipment.
- To prevent possible scratches and damage, this furniture **MUST BE ASSEMBLED BY TWO PEOPLE** on a soft surface such as a blanket or carpet.

Important Use Information: We recommend using coasters, placemats and trivets when placing hot or cold containers on this item. It is also recommended to quickly cleanup any spills to minimize exposure to moisture. Doing so will prolong the life and look of the item for many years.

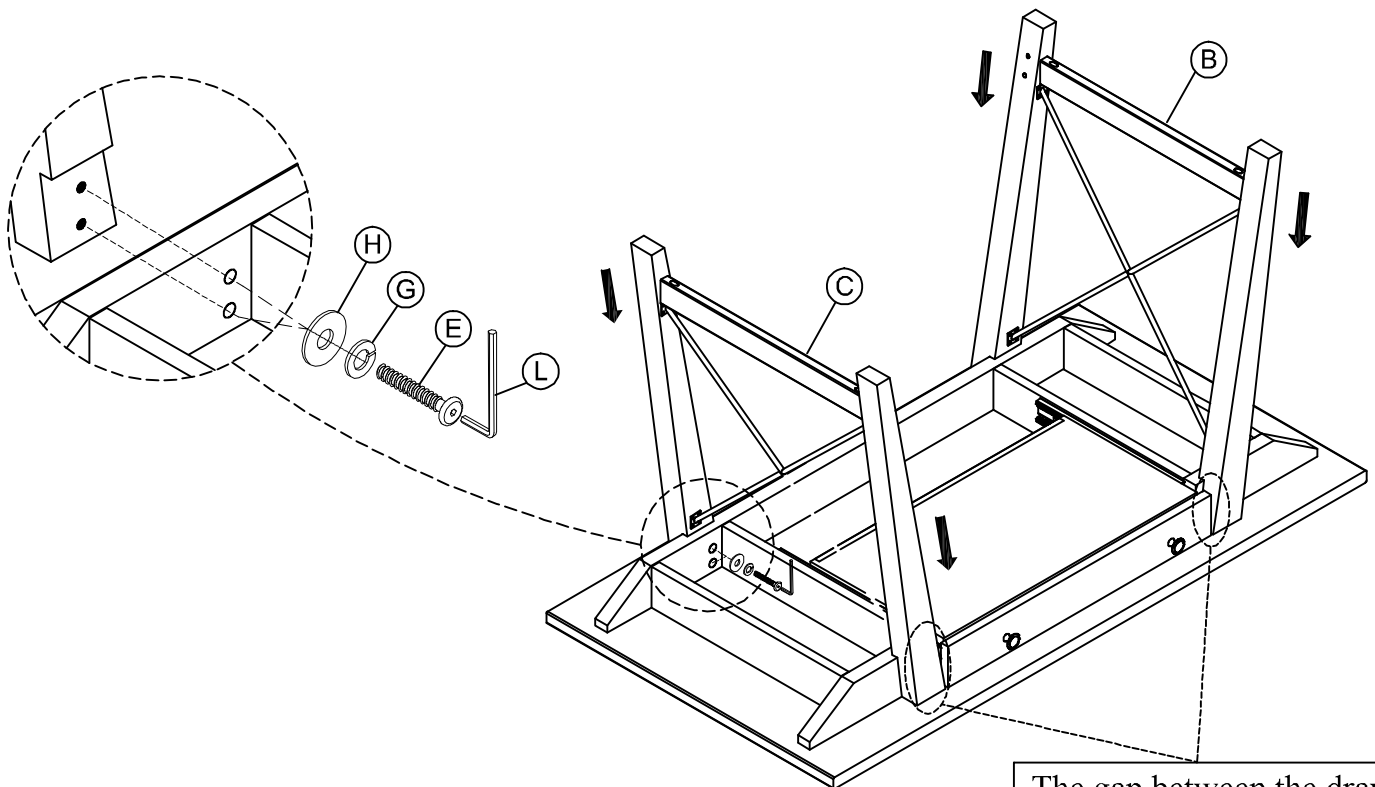


58830
Writing Desk

Components and Hardware List

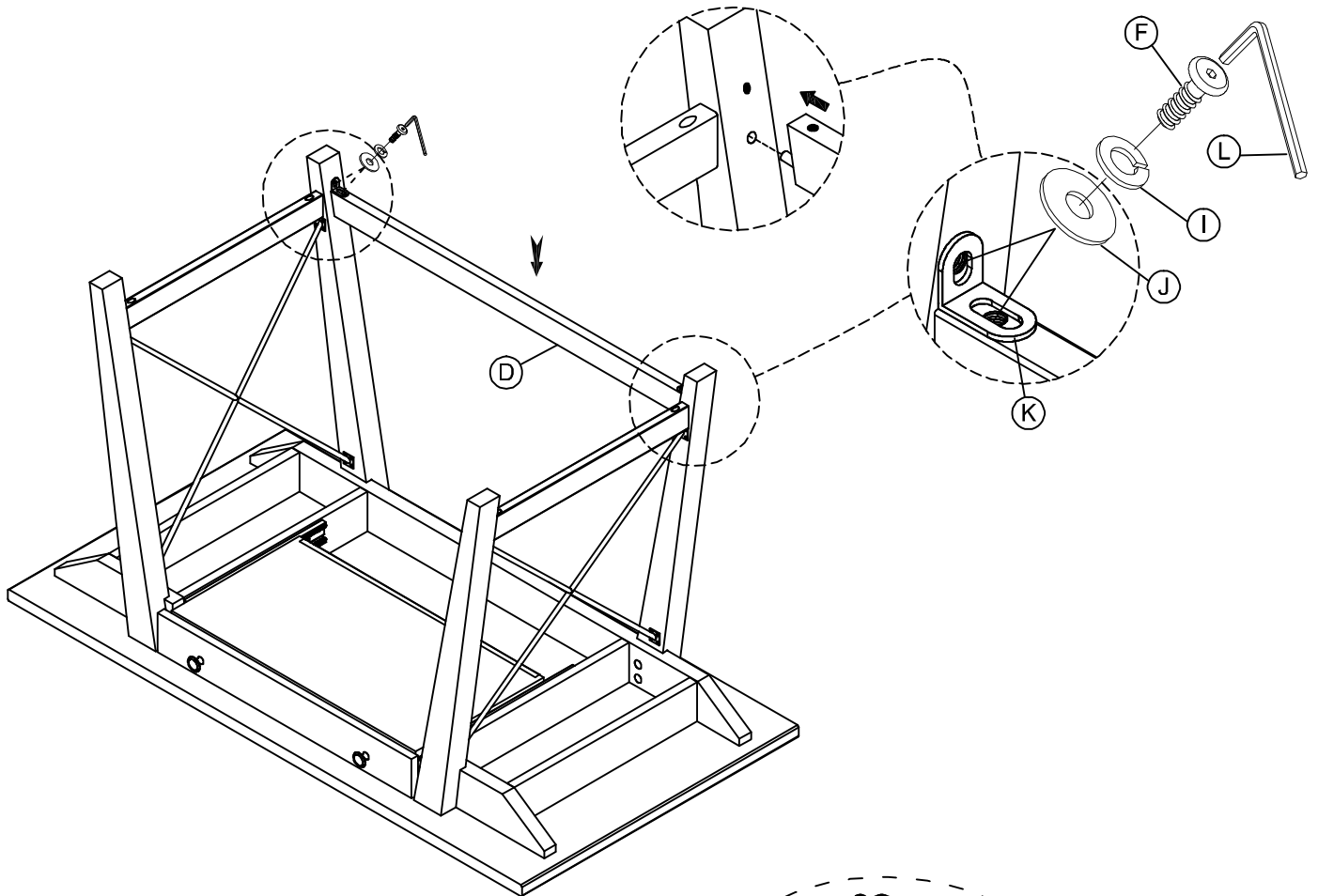
| | | | | | | | |
|--|---|---|--|---|--|---|---|
| <p>Table Top</p>  <p>(A) 1 pc.</p> | <p>Leg Frame (Left)</p>  <p>(B) 1 pc.</p> | <p>Leg Frame (Right)</p>  <p>(C) 1 pc.</p> | <p>Back Stretcher</p>  <p>(D) 4 pcs.</p> | <p>Allen Head Bolt Ø5/16"-18 x 2"</p>  <p>(E) 8 pcs.</p> | <p>Allen Head Bolt Ø1/4"-20 x 5/8"</p>  <p>(F) 4 pcs.</p> | <p>Spring Washer Ø5/16"</p>  <p>(G) 8 pcs.</p> | <p>Flat Washer Ø5/16"x 3/4"</p>  <p>(H) 8 pcs.</p> |
| <p>Spring Washer Ø1/4"</p>  <p>(I) 4 pcs.</p> | <p>Flat Washer Ø1/4" x 1/2"</p>  <p>(J) 4 pcs.</p> | <p>L - Bracket</p>  <p>(K) 2 pcs.</p> | <p>Allen Key 4 mm</p>  <p>(L) 1 pc.</p> | <p>Tipping Restraint Kit</p>  <p>(M) 1 pc.</p> | | | |

Step 1 : Do not fully tighten the bolts

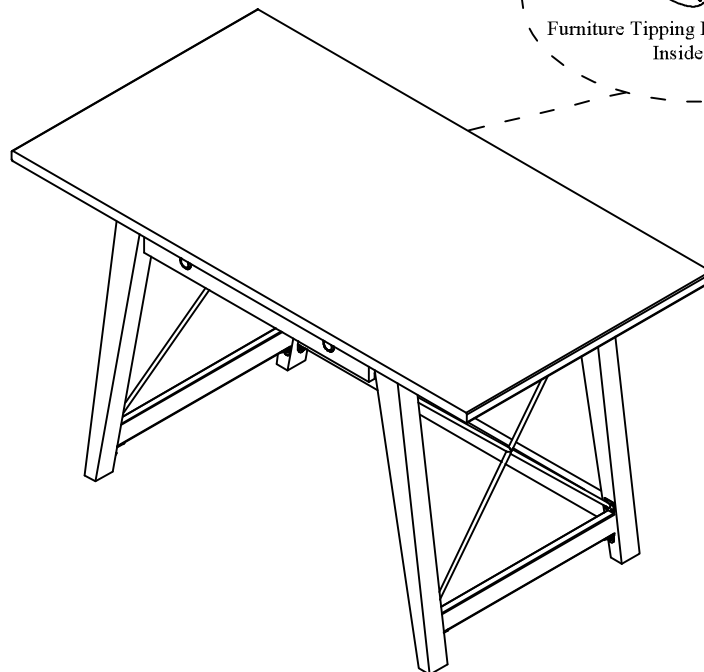


The gap between the drawer and both legs should be adjusted evenly before tightening the bolts.

Step 2 : Using the Allen key to tighten all bolts



Step 3 :



For product and personal safety, a Furniture Tipping Restraint kit has been included with this unit which can help to minimize the risk of the unit accidentally tipping forward, if used and properly installed per the manufacturer's instructions.